

WARKITTY

THE MISCHIEF TREBUCHET



Blueprints

Original Design by Ben "Drex" Drexler
ben.drexler@gmail.com

<http://polymathsdilemma.wordpress.com>

Materials List

Material types:

Bolts: 1/4 inch x 6 inch

Nuts: 1/4 inch

Washers: 1/4 inch

Screws: 3 inch wood screws

Nails: 3 inch

PVC: 1 1/4 inch schedule 40

Wood: 2x4 inch pine

Materials:

Total bolts: 70

Total nuts: 70

Total washers: 130

Total nails: 30

Total screws: 62

Total eyebolts: 8

Quick snap links: 4

Rope: 50 feet

Sling Material:

3 foot x 3 foot piece of durable fabric (used painting tarp)

Lumber:

8 feet x 1 (A)

6 feet 8 inches x 8 (B)

6 feet 1 inches x 2 (C)

5 feet 10 inches x 3 (D)

4 feet 8 inches x 2 (E)

4 feet 4 inches x 6 (F)

3 feet 10 inches x 2 (G)

2 feet 7 inches x 1 (H)

1 foot 2 inches x 4 (I)

14 inches x 5 feet 10 inches x 1/4 inch board (J)

Pipe:

12 inch x 1 inch (1 3/16 inch) cast iron pipe x 1

6 inch x 1 inch (1 3/16 inch) cast iron pipe x 1

1 inch iron end caps x 4

Steel Rod:

48 inch x 1 inch (1 3/16 inch) solid steel rod

PVC:

15 inch x 2

Weights:

At least 200 lbs of weight plates (preferably consisting of as many 45 lb plates as possible)

Payload:

Soccer ball or similar item of your choosing

Tools:

1/4 inch x 6 inch drill bit

1 3/8 inch wood bore

Power drill

Ratchet set

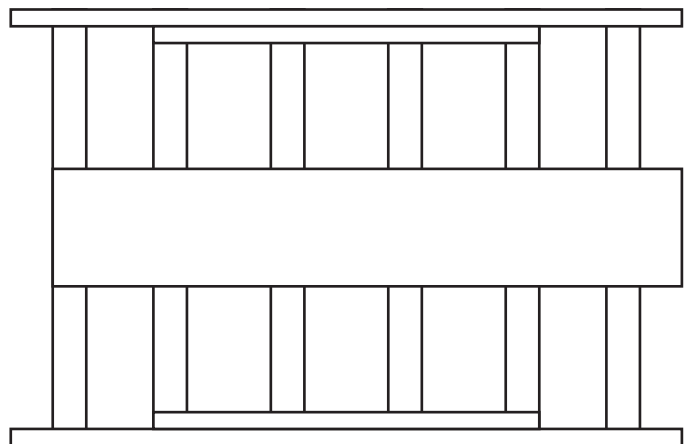
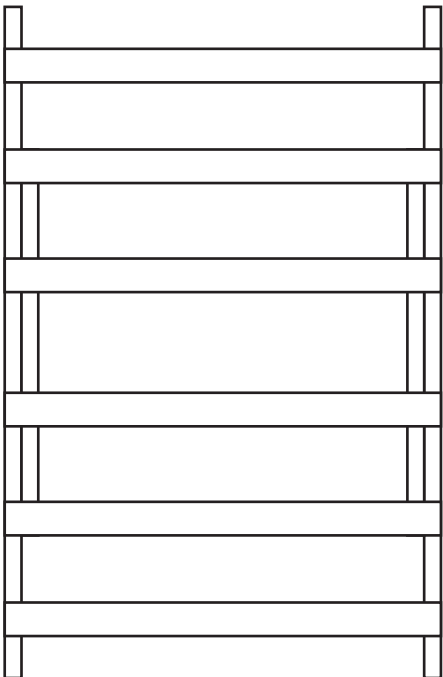
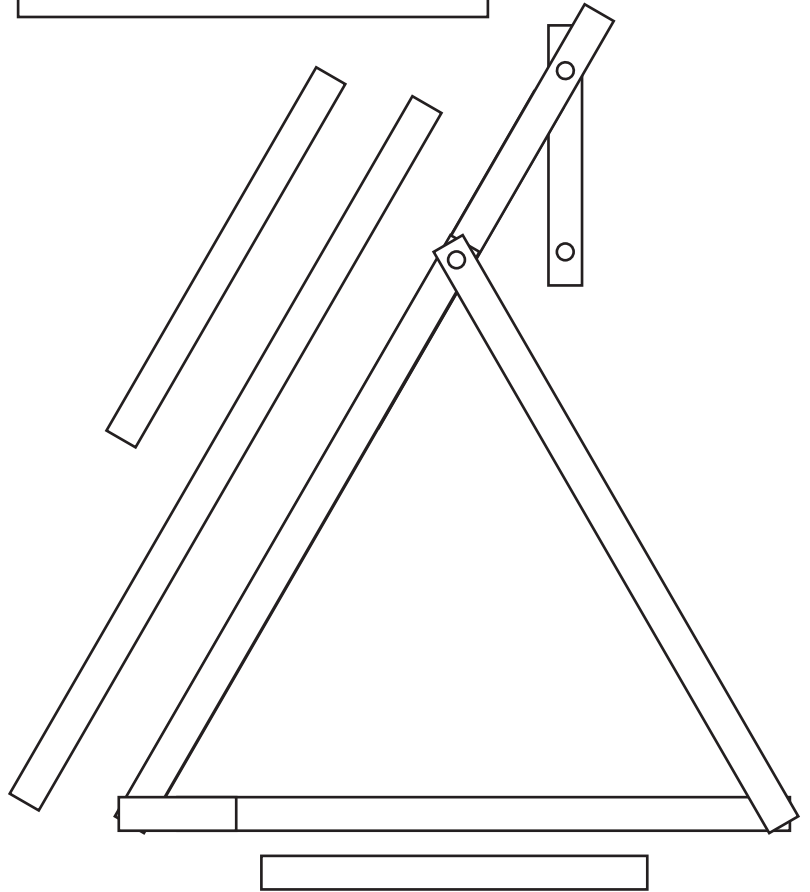
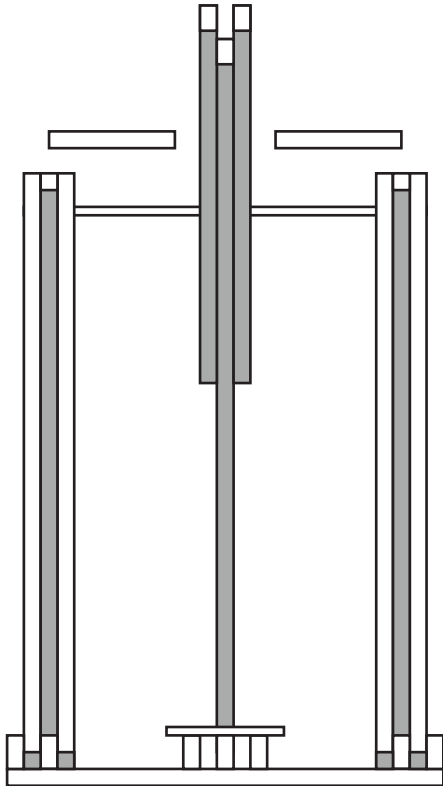
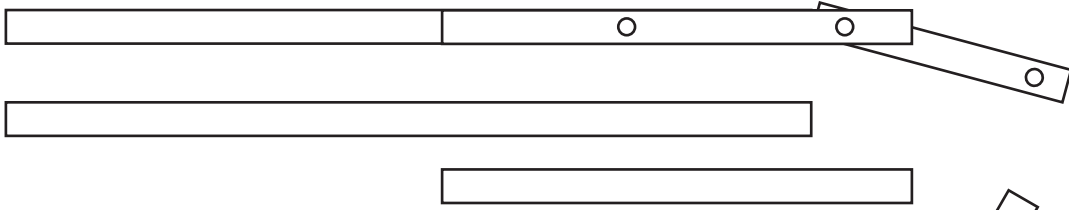
Monkey wrench

C-Clamps x 2

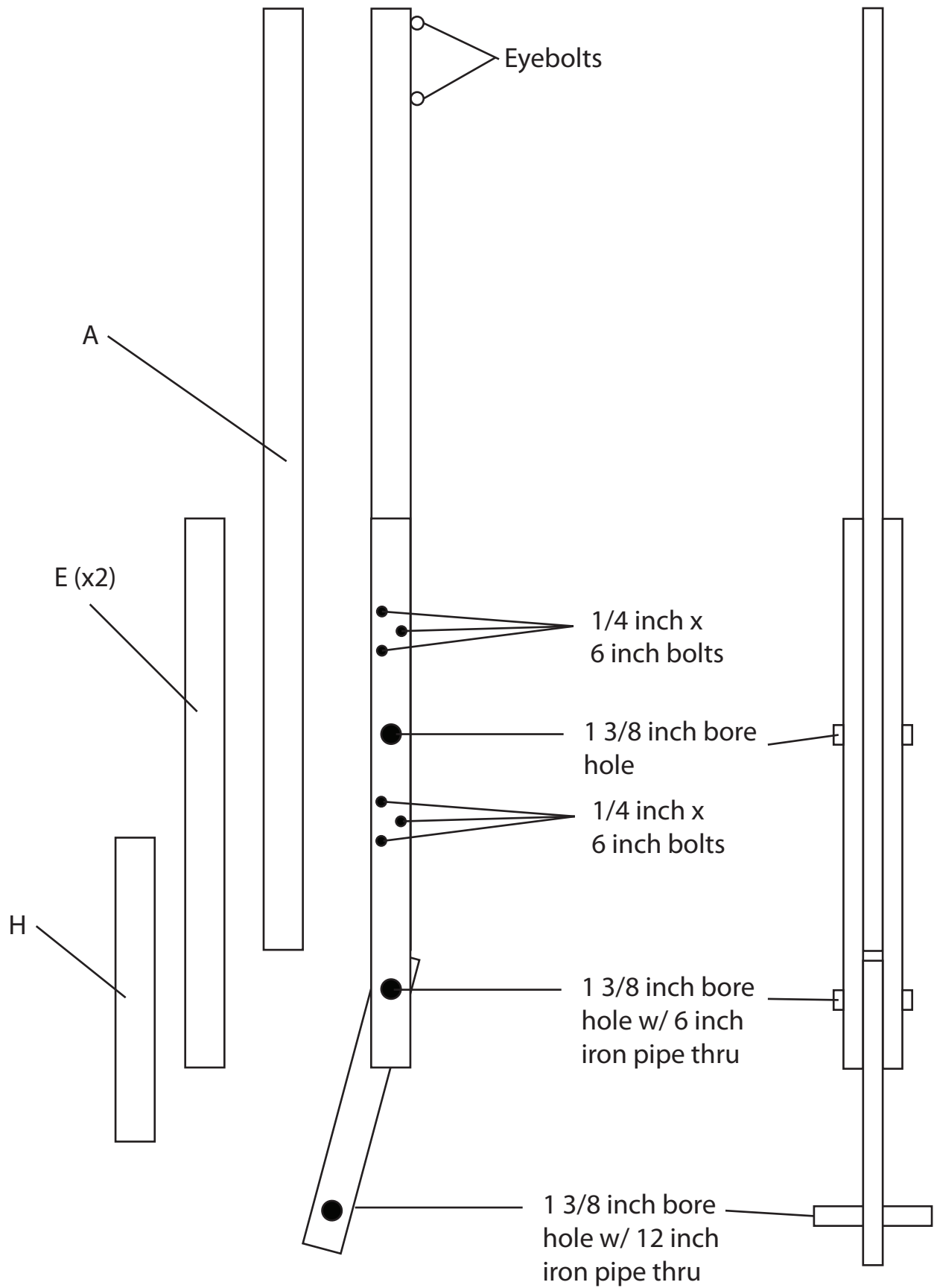
Hammer

Grommeting kit

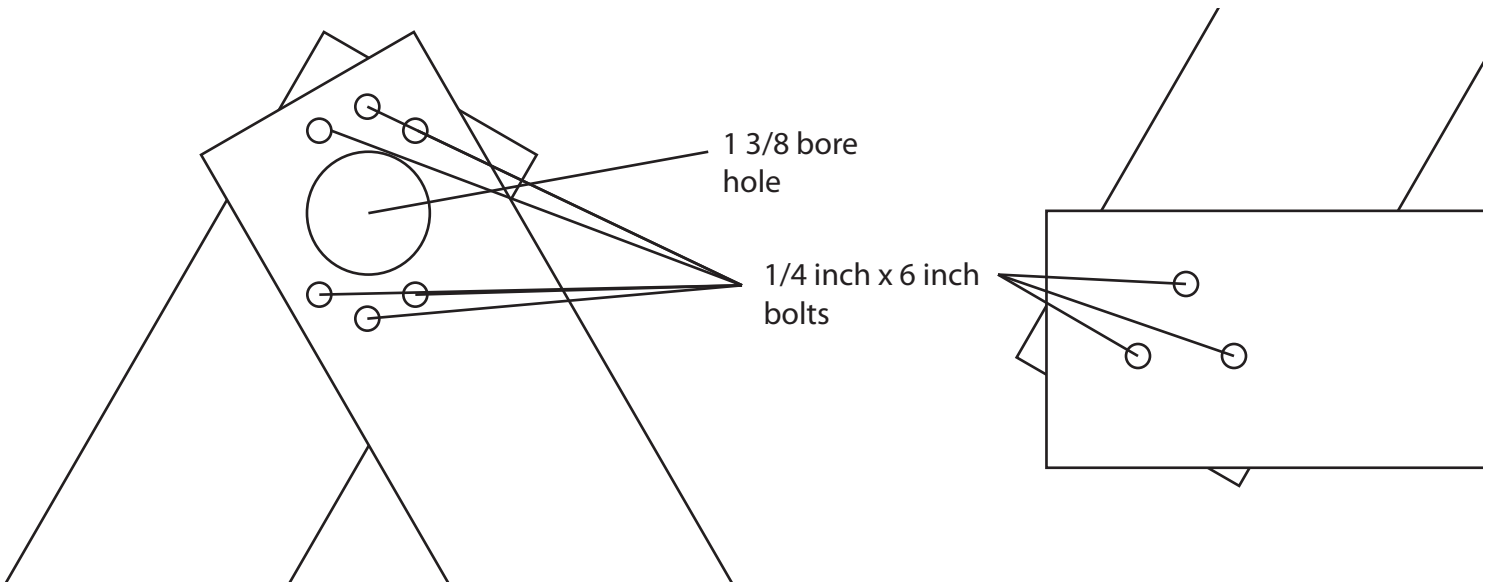
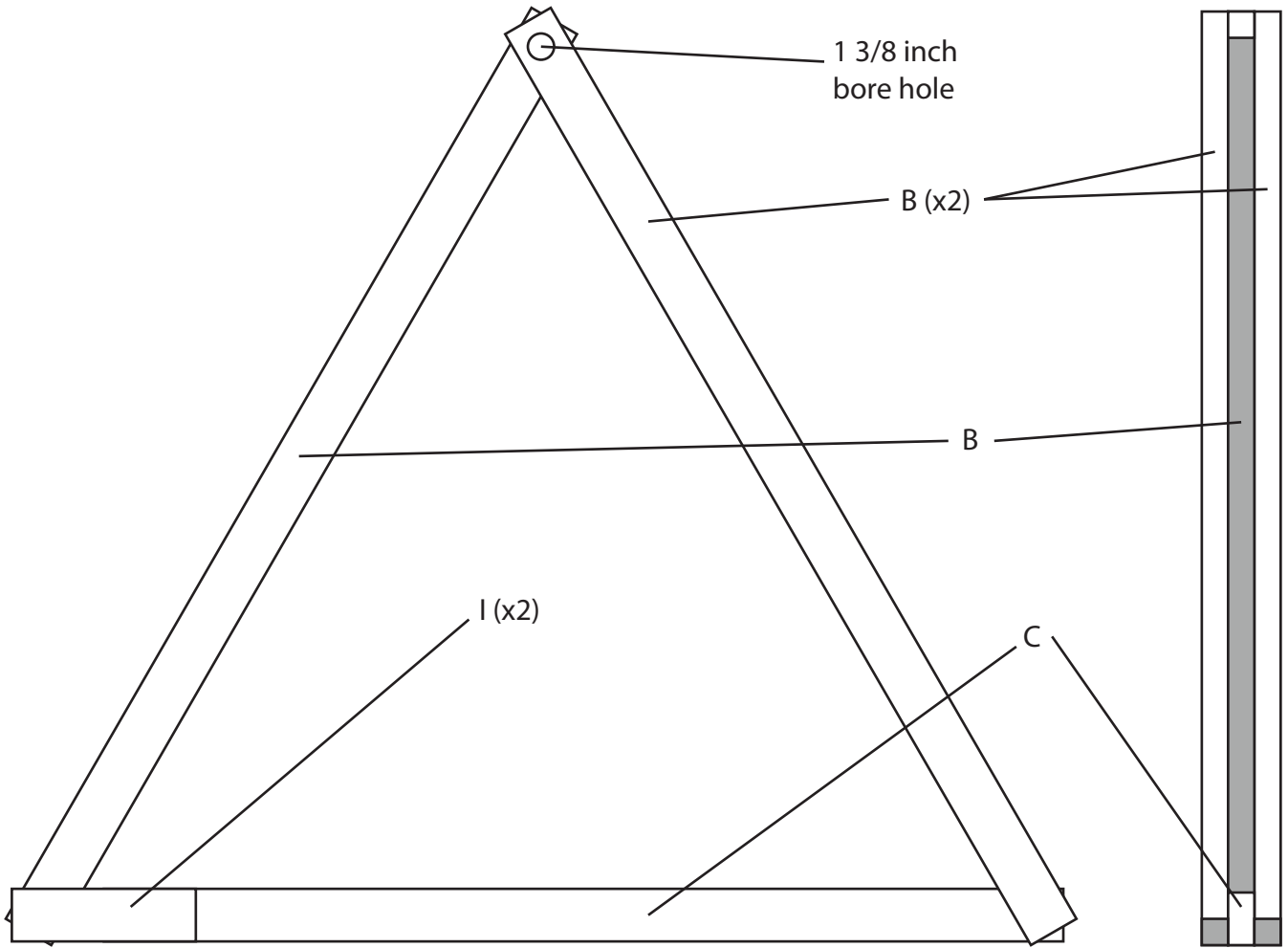
Design Overview



Swing Arm



A-Frames (x2)



Base

